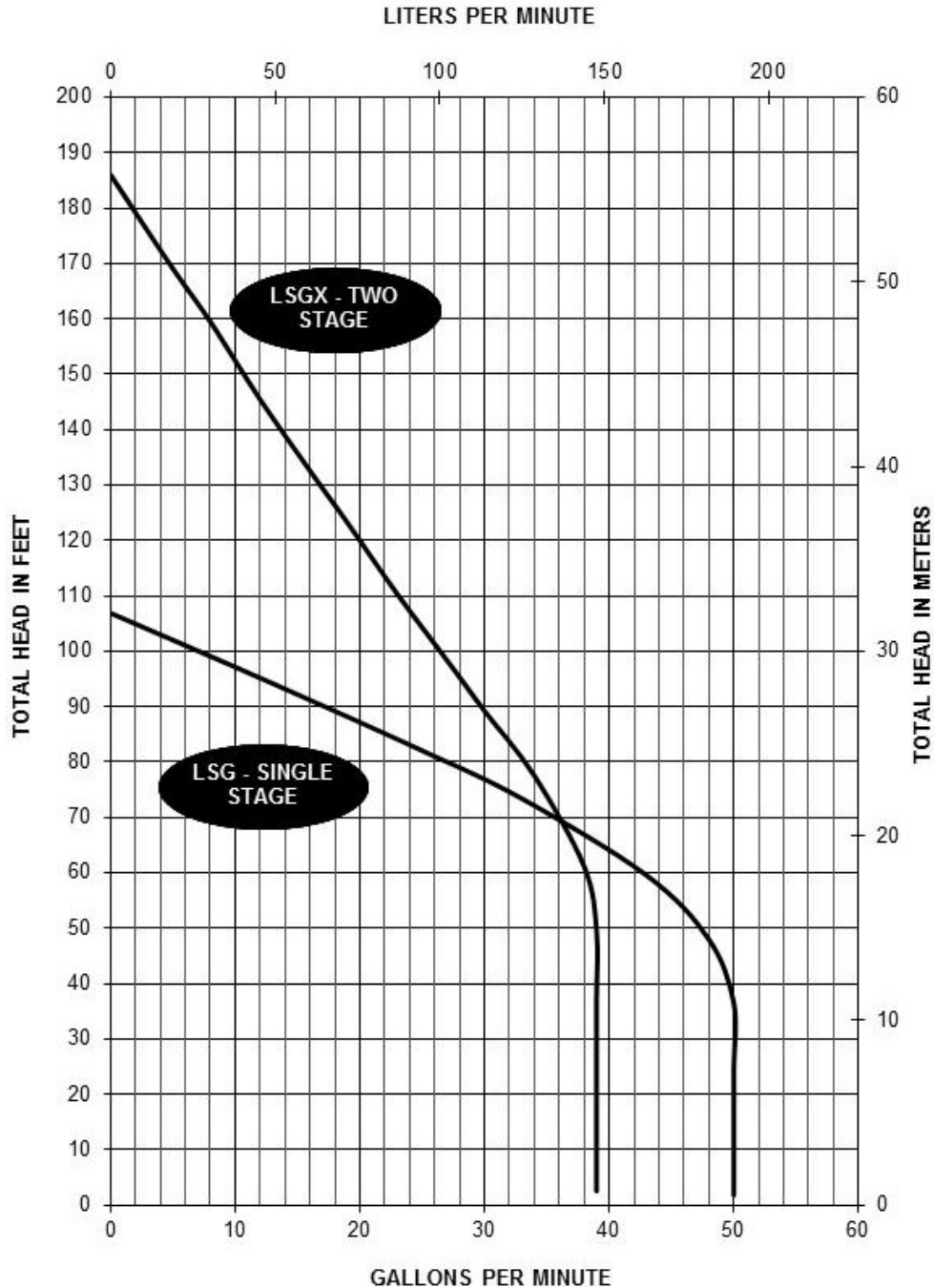
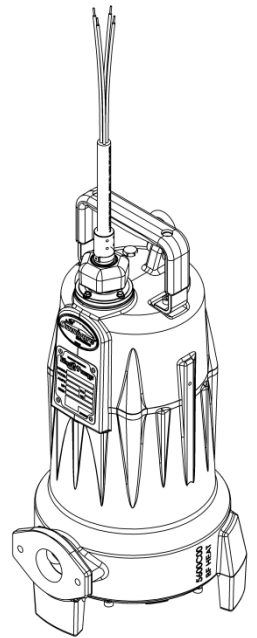


Pump Specifications

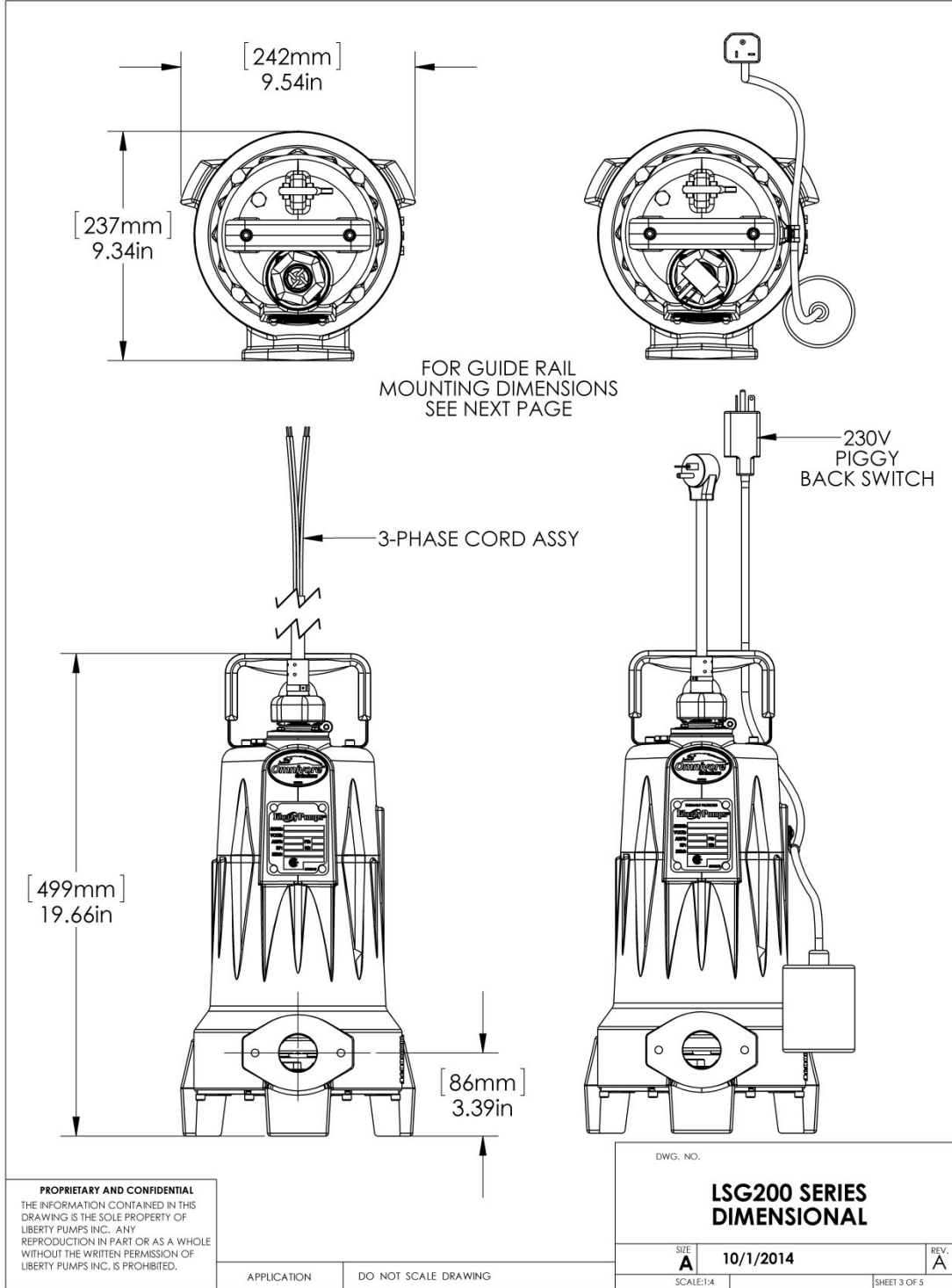
LSG200-SERIES (SINGLE STAGE)

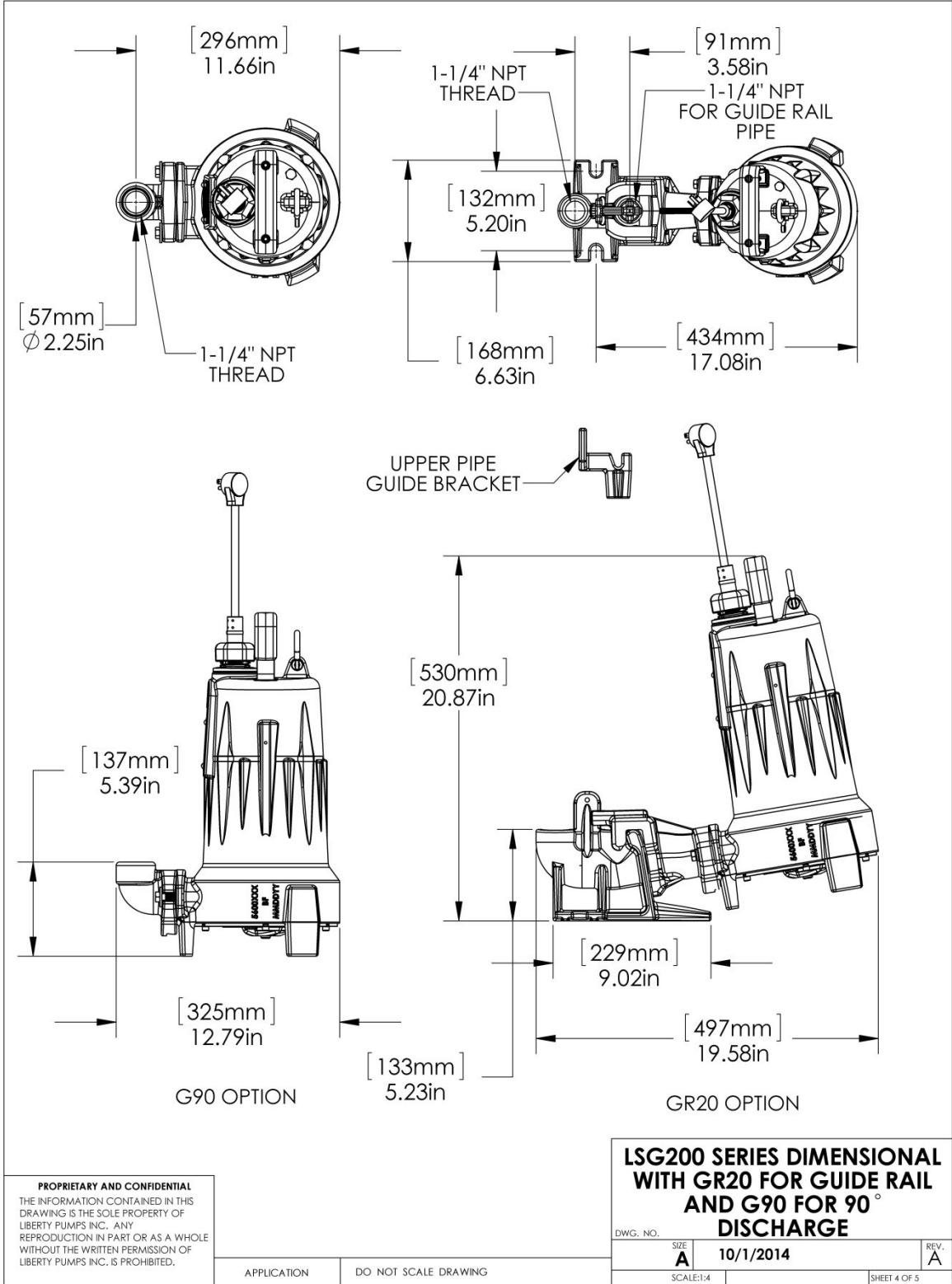
LSGX200-SERIES (TWO STAGE)

Omnivore® 2HP Submersible Grinder Pumps



LSG/LSGX 200-Series Dimensional data





LSG/LSGX 200-Series Electrical data

MODEL	H P	VOLTAGE	PHASE	SF	FULL LOAD AMPS	LOCKED ROTOR AMPS	THERMAL OVERLOAD TEMP	STATOR WINDING CLASS	CORD LENGTH FT	DISCHARGE	AUTOMATIC
LSG202A	2	208/230	1	1.0	15	53	105°C 221°F	B	25	1-1/4" NPT + FLANGE	YES
LSG202M	2	208/230	1	1.0	15	53	105°C 221°F	B	25	1-1/4" NPT + FLANGE	NO
LSG202M-3*	2	208/230	1	1.0	15	53	105°C 221°F	B	35	1-1/4" NPT + FLANGE	NO
LSG202M-C*	2	208/230	1	1.0	15	53	135°C 275°F	B	35	1-1/4" NPT + FLANGE	NO
LSG203M	2	208/230	3	1.0	10.6	61	N/A	B	25	1-1/4" NPT + FLANGE	NO
LSG204M	2	440-480	3	1.0	5.3	31	N/A	B	25	1-1/4" NPT + FLANGE	NO
LSG205M	2	575	3	1.0	4.9	31	N/A	B	25	1-1/4" NPT + FLANGE	NO
LSGX202A	2	208-230	1	1.0	15	53	135°C 275°F	B	25	1-1/4" NPT + FLANGE	YES
LSGX202M	2	208-230	1	1.0	15	53	135°C 275°F	B	25	1-1/4" NPT + FLANGE	NO
LSGX202M-3*	2	208-230	1	1.0	15	53	135°C 275°F	B	35	1-1/4" NPT + FLANGE	NO
LSGX202M-C*	2	208-230	1	1.0	15	53	135°C 275°F	B	35	1-1/4" NPT + FLANGE	NO
LSGX203M	2	208/230	3	1.0	10.6	61	N/A	B	25	1-1/4" NPT + FLANGE	NO
LSGX204M	2	440-480	3	1.0	5.3	31	N/A	B	25	1-1/4" NPT + FLANGE	NO
LSGX205M	2	575	3	1.0	4.9	31	N/A	B	25	1-1/4" NPT + FLANGE	NO

***Notes:** ¹ LSG202M-C & LSGX202M-C are for external capacitor applications and require the use of control panels fitted with properly matched capacitors and start relays. Consult Liberty Pumps catalog for proper panel model when ordering. For retrofit applications, order Liberty start kit K001316 which includes the correct Start Capacitor, Run capacitor, and Potential Start Relay. In all cases, control panels must be constructed per applicable UL and/or CSA standards and be installed per NEC.

² LSG202M-3 and LSGX202M-3 35' cord manual pump models have bare leads (no plug end)

LSG/LSGX 200-Series Technical Data

IMPELLER	300 SERIES S.S.
PAINT	POWDER COAT
MAX LIQUID TEMP	60°C 140°F
MAX STATOR TEMP	140°C
THERMAL OVERLOAD	SEE ABOVE (single phase only)
POWER CORD TYPE	SJOOW (1-Phase) / SEOOW (3-phase) SOOW (external capacitor models)
MOTOR HOUSING	CLASS 25 CAST IRON
VOLUTE	CLASS 25 CAST IRON
SHAFT	300 SERIES S.S.
HARDWARE	STAINLESS
ORINGS	BUNA N
MECHANICAL SEAL	UNITIZED SILICON CARBIDE
MIN BEARING LIFE	50,000 HRS

LSG/LSGX 200-Series Specifications

1.01 GENERAL:

The contractor shall provide labor, material, equipment, and incidentals required to provide _____(QTY) centrifugal grinder pumps as specified herein. The pump models covered in this specification are Series LSG200 and LSGX200 single phase or three phase grinder pumps. The pump furnished for this application shall be model _____ as manufactured by Liberty pumps.

2.01 OPERATING CONDITIONS:

Each submersible pump shall be rated at 2 hp _____volts _____ phase 60 Hz. 3450 RPM. The unit shall produce _____ G.P.M. at _____ feet of total dynamic head.

The submersible pump shall be capable of handling residential and commercial sewage and grinding it to a fine slurry, enabling it to be pumped over long distances in pipelines as small as 1.25" in diameter. The LSG series single stage submersible pump shall have a shut-off head of 110 feet and a maximum flow of 50 GPM @ 10 feet of total dynamic head. The LSGX series two stage submersible pump shall have a shut-off head of 185 feet and a maximum flow of 38 GPM @ 10 feet of total dynamic head.

Single phase pumps shall have capacitors and start relay mounted ____ in the pump, or ____ in the panel.

The pump shall be controlled with:

_____A piggy back style on/off float switch (Single Phase Only).

_____A NEMA 4X outdoor simplex control panel with three float switches and a high water alarm.

_____A NEMA 1 indoor simplex control panel with three float switches and a high water alarm.


_____A NEMA 4X outdoor duplex control panel with three float switches and a high water alarm.

_____A NEMA 1 indoor duplex control panel with three float switches and a high water alarm.

_____A NEMA 4X outdoor duplex control panel with four float switches and a high water alarm.

_____A NEMA 1 indoor duplex control panel with four float switches and a high water alarm.

3.01 CONSTRUCTION:

Each centrifugal grinder pump shall be equal to the  ^C ^{US} certified Series LSG Grinder pumps as manufactured by Liberty Pumps, Bergen NY. The castings shall be constructed of class 25 cast iron. The motor housing shall be oil filled to dissipate heat. Air filled motors shall not be considered equal since they do not properly dissipate heat from the motor. All mating parts shall be machined and sealed with a Buna-N o-ring. All fasteners exposed to the liquid shall be stainless steel. The motor shall be protected on the top side with sealed cord entry plate with molded pins to conduct electricity eliminating the ability of water to enter internally through the cord. The motor shall be protected on the lower side with a dual seal arrangement. The first seal is a double lip seal molded in elastomeric rubber.

The second / main seal shall be a unitized hard face silicon carbide seal with stainless steel housings and spring.

The upper and lower bearing shall be capable of handling all radial thrust loads. The lower bearing shall have the additional ability to handle the downward axial thrust produced by the impeller and cutters by design of angular contact roller races. The pump housing shall be of the concentric design thereby equalizing the pressure forces inside the housing which will extend the service life of the seals and bearings.

Additionally there shall be no cutwater in the housing volute in order to discourage the entrapment of flowing debris. The pump shall be furnished with stainless steel handle having a nitrile grip.

4.01 ELECTRICAL POWER CORD

The submersible pump shall be supplied with 25 feet of multi-conductor power cord (35ft for LSG202M-C and LSGX202M-C external capacitor models). It shall be cord type SJOOW (1-phase) or SEOOW (3-phase) or SOOW (external capacitor models), capable of continued exposure to the pumped liquid. The power cord shall be sized for the rated full load amps of the pump in accordance with the National Electric Code. The power cable shall not enter the motor housing directly but will conduct electricity to the motor by means of a water tight compression fitting cord plate assembly, with molded pins to conduct electricity. This will eliminate the ability of water to enter internally through the cord, by means of a damaged or wicking cord.

5.01 MOTORS

All motors shall be oil filled, class B insulated NEMA B design, rated for continuous duty. Since air filled motors are not capable of dissipating heat they shall not be considered equal. Single phase pump motors shall be capacitor start/ capacitor run and have an integral thermal overload switch in the windings for protecting the motor. Three phase motors shall be used with an appropriate controller with integral overload protection. On all single phase models (excluding LSG202M-C and LSGX202M-C), the capacitor circuit shall be mounted internally and motors shall have an integral solid state starting circuit switch for switching the start winding off.

6.01 BEARINGS AND SHAFT

An upper radial and lower thrust bearing shall be required. The upper bearing shall be a single ball / race type bearing. The lower bearing shall be an angular contact heavy duty ball / race type bearing, designed to handle axial grinder pump thrust loads. Both bearings shall be permanently lubricated by the oil, which fills the motor housing. The bearing system shall be designed to enable proper cutter alignment from shut off head to maximum load at 10 ' of TDH. The motor shaft shall be made of 300 or 400 series stainless steel and have a minimum diameter of .670".

7.01 SEALS

The pump shall have a dual seal arrangement consisting of a lower and upper seal to protect the motor from the pumping liquid. The lower seal shall be a elastomeric rubber molded double lip seal, designed to exclude foreign material away from the main upper seal. The upper seal shall be a unitized silicon carbide hard face seal with stainless steel housings and spring equal to Crane Type T-6a. The motor plate / housing interface shall be sealed with a Buna-N o-ring.

8.01 IMPELLER

The impeller shall be a investment cast stainless steel impeller, with pump out vanes on the back shroud to keep debris away from the seal area. it shall be keyed and bolted to the motor shaft.

9.01 CUTTER MECHANISM

The cutter and plate shall consist of 440 stainless steel with a Rockwell C hardness of 55-60. The stationary cutter plate shall have specially designed orifices through it, which enable the slurry to flow through the pump housing at an equalized pressure and velocity. The stationary cutter plate shall consist of V shapes to maximize cutting action and arc shape exclusion slots to outwardly eject debris from under the rotary cutter. The rotary cutter shall have (4) blades and be designed with a recessed area behind the cutting edge to prevent the accumulation and binding of any material between rotary cutter and the stationary cutter plate. The cutting system must incorporate close tolerances for optimum performance. Ring or radial cutters, or those that grind on the outside circumference of shall not be considered equal.

10.01 CONTROLS

All single phase units (excluding external cap models) can be supplied with CSA and UL approved automatic wide angle tilt float switches. The switches shall be equipped with piggy back style plug that allows the pump to be operated manually without the removal of the pump in the event that a switch becomes inoperable. Manual Pumps are operable by means of a pump control panel.

11.01 PAINT

The exterior of the casting shall be protected with Powder Coat paint.

12.01 SUPPORT

The pump shall have cast iron support legs, enabling it to be a free standing unit. The legs will be high enough to allow solids and long stringy debris to enter the cutter assembly.

13.01 SERVICEABILITY

Components required for the repair of the pump shall be shipped within a period of 24 hours.

14.01 FACTORY ASSEMBLED TANK SYSTEMS WITH GUIDE RAIL AND QUICK DISCONNECT DISCHARGE

_____ Guide factory mounted rail system with pump suspended by means of bolt on quick disconnect which is sealed by means of nitrile grommets. The Discharge piping shall be schedule 80 PVC and furnished with a PVC shut-off ball valve. The Tank shall be wound fiberglass or roto-molded plastic. A cast iron inlet hub shall be provided with the fiberglass systems.

- _____ Stainless steel Guide Rail
- _____ Zinc plated steel Guide Rail
- _____ "diameter of basin size
- _____ "height of basin size
- _____ "distance from top of tank to discharge pipe outlet
- _____ Fiberglass cover
- _____ Structural foam polymer cover
- _____ Steel cover
- _____ Simplex System with Outdoor panel and alarm
- _____ Duplex System with Outdoor panel and alarm
- _____ Separate Outdoor Alarm
- _____ Remote Outdoor Alarm

15.01 TESTING

The pump shall have a ground continuity check and the motor chamber shall be Hi-potted to test for electrical integrity, moisture content and insulation defects. The motor and volute housing shall be pressurized, and an air leak decay test is performed to ensure integrity of the motor housing. The pump shall be run, voltage current monitored, and the tester checks for noise or other malfunction.

16.01 QUALITY CONTROL

The pump shall be manufactured in an ISO 9001 certified Facility.

17.01 WARRANTY

Standard limited warranty shall be 3 years.